

CyberKey Air, Rechargeable Battery, Wi-Fi

Part number: CK-AIR

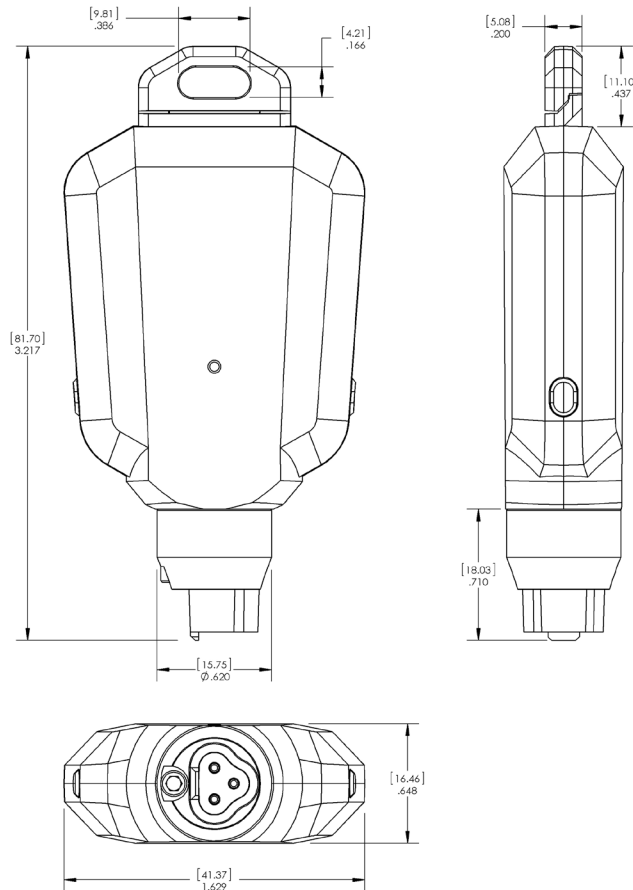
The CyberKey Air is an electronic key used to operate CyberLock cylinders. It has memory that contains encrypted access codes, a list of locks it may access, schedules of authorized dates and times it may access locks, and a begin-end date range during which the key will operate. The battery from a CyberKey energizes the electronics within a CyberLock cylinder.

The Wi-Fi capabilities of this key enable wireless updating of schedules, permissions, and access events when the key is connected to an authorized Wi-Fi network.



Specifications

Physical	Fiberglass reinforced nylon, replaceable brass tip
Operating Temperatures	32° to 122° F, 0° to 50° C
Dimensions	3.22" L x 0.65" W x 1.63" H (81.8 mm x 16.5 mm x 41.4 mm)
Weight	1.45 oz (41 g)
Power	Rechargeable lithium ion polymer
Memory	4 MB for audit trail, lock access lists, and schedules
Recharging	Via the key tip
Visual Indicators	Red and blue LED indicator lights top and bottom, green LED indicator light in key tip
Audio Indicator	An embedded speaker
Wireless	2.4GHz (802.11b)



Notes:
Dimensions in inches (mm)
Drawing not to scale