

## CyberKey, Replaceable Battery, Control Key

Part number: CK-IR7C

Pro  Enterprise

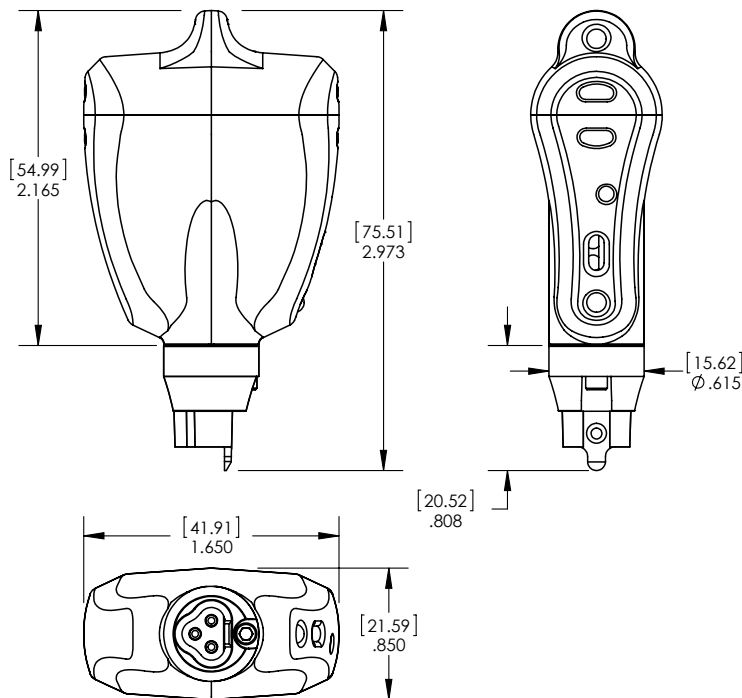
The control key is needed only for installing and removing CyberLock interchangeable core cylinders including P/N CL-LF01 and CL-SF03. The control key must be programmed to open the cylinders it will be installing or removing.

*The CK-IR7C is not compatible with other CyberLock cylinders.*



### Specifications

<b>Physical</b>	Fiberglass reinforced nylon, stainless steel tip
<b>Operating Temperatures</b>	32° to 122° F, 0° to 50° C
<b>Dimensions</b>	2.97" H x 1.65" W x 0.85" D (75.5 mm x 41.9 mm x 21.6 mm)
<b>Weight</b>	1.5 oz (43.1 g)
<b>Power</b>	3 V lithium CR2 battery, field replaceable
<b>Memory</b>	Internal memory supports an audit trail of up to 3900 events
<b>CyberAudit-Web Link</b>	Via any compatible CyberLock Communicator
<b>Communicator Link</b>	Via the key tip and/or through the infrared port
<b>Visual Indicators</b>	One indicator light (battery level and key activation)
<b>Audio Indicator</b>	An embedded speaker (battery level, access, and communication)



Notes:  
Dimensions in inches (mm)  
Drawing not to scale