

## CyberKey, Rechargeable Battery, Bluetooth®

Part number: CK-RBT

Pro  Enterprise

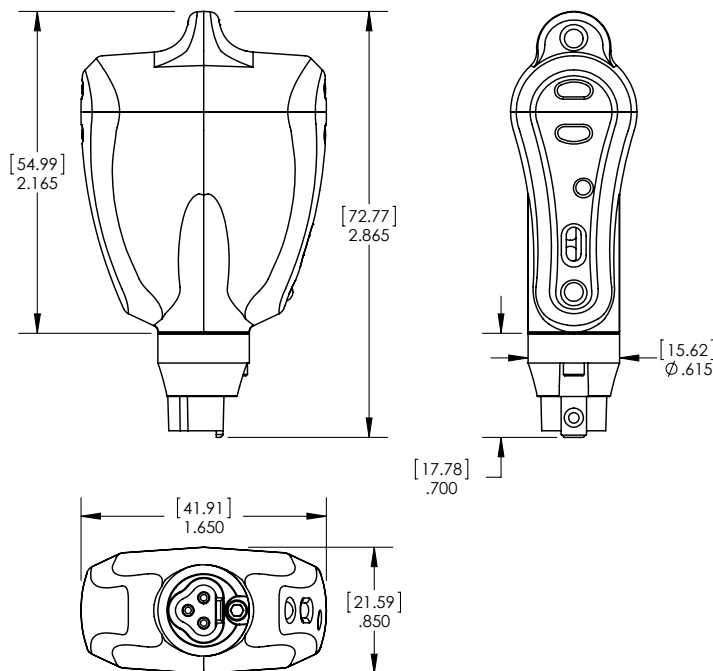
The CyberKey is an electronic key used to operate CyberLock cylinders. It has memory that contains encrypted access codes, a list of locks it may access, schedules of authorized dates and times it may access locks, and a begin-end date range during which the key will operate. The battery from a CyberKey energizes the electronics within a CyberLock cylinder.

The Bluetooth capabilities of this key only work with CyberAudit Enterprise software.



### Specifications

<b>Physical</b>	Fiberglass reinforced nylon, replaceable brass tip
<b>Operating Temperatures</b>	32° to 122° F, 0° to 50° C
<b>Dimensions</b>	2.87" H x 1.65" W x 0.85" D (72.8 mm x 41.9 mm x 21.6 mm)
<b>Weight</b>	1.4 oz (39.7 g)
<b>Power</b>	Rechargeable lithium ion polymer
<b>Memory</b>	Internal memory supports an audit trail of up to 3900 events
<b>CyberAudit-Web Link</b>	Via any compatible CyberLock Communicator
<b>Communicator Link</b>	Via the key tip, through the infrared port, and/or Bluetooth
<b>Visual Indicators</b>	One indicator light (battery level and key activation)
<b>Audio Indicator</b>	An embedded speaker (battery level, access, and communication)
<b>Additional Features</b>	This key contains Bluetooth technology that can be used in conjunction with a compatible BlackBerry® or Android® based smart phone to connect directly to the management software from the field



Notes:  
Dimensions in inches (mm)  
Drawing not to scale