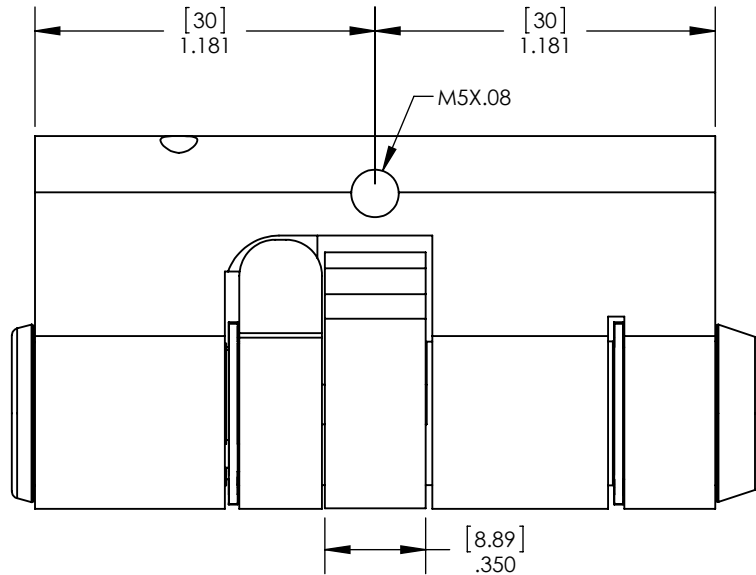
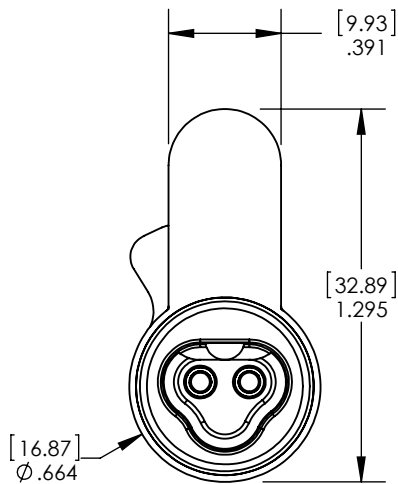
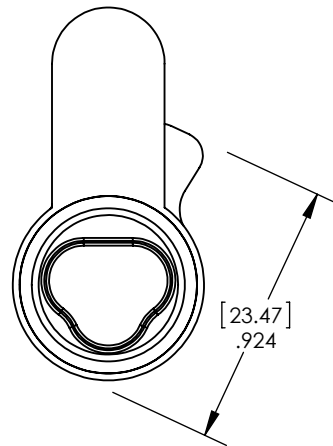


REAR VIEW



PART NUMBER

CL-PEM3030



1105 NE CIRCLE BLVD
CORVALLIS OR 97330
(541) 738-5500

Proprietary information of Videx
Unauthorized to copy, reproduce, or
disclose to others by any means
without express written consent.

DESCRIPTION

PROFILE, 30MM OUTSIDE ELECTRONIC/30MM INSIDE MECHANICAL

PDF CREATED

11/15/2011

REV

A