

CyberPoint

Part number: CP-05

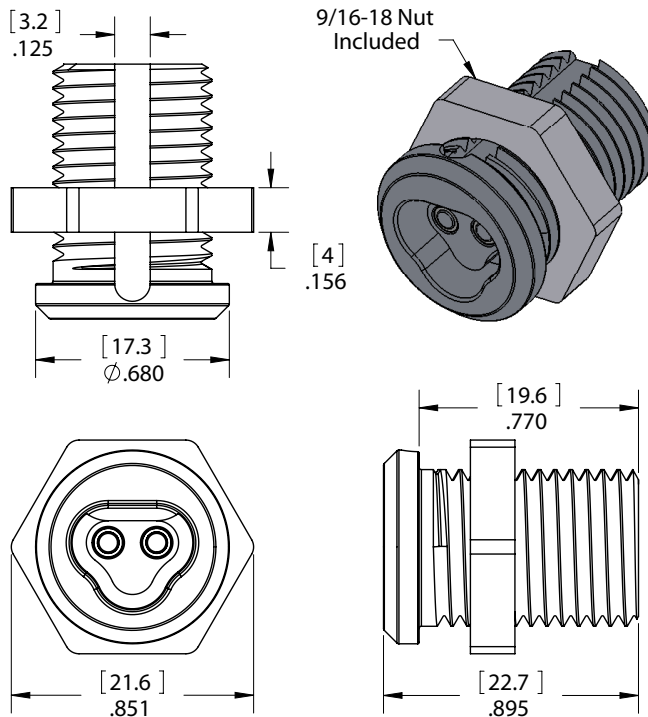
Pro Enterprise

The CyberPoint is an electronic tag designed to serve as a data checkpoint during security tours. It is an extension of the CyberLock system using the same keys and software.



Specifications

Physical	Stainless steel
Operating Temperatures	-40° to 160° F, -40° to 70° C
Dimensions	.85" W (nut) x .68" W x .895" L (21.6 mm x 17.30 mm x 22.7 mm)
Weight	.8 oz. (22.7 g)
Power	Supplied from CyberKey
Compatible Keys	CK-IR7C, CK-IR7, CK-RBT, CK-RCG, CK-RXD, CK-RXD2



Notes:
 Dimensions in inches (mm)
 Drawing not to scale
 Ø indicates diameter