

Flex System CyberKey Vault WR Module

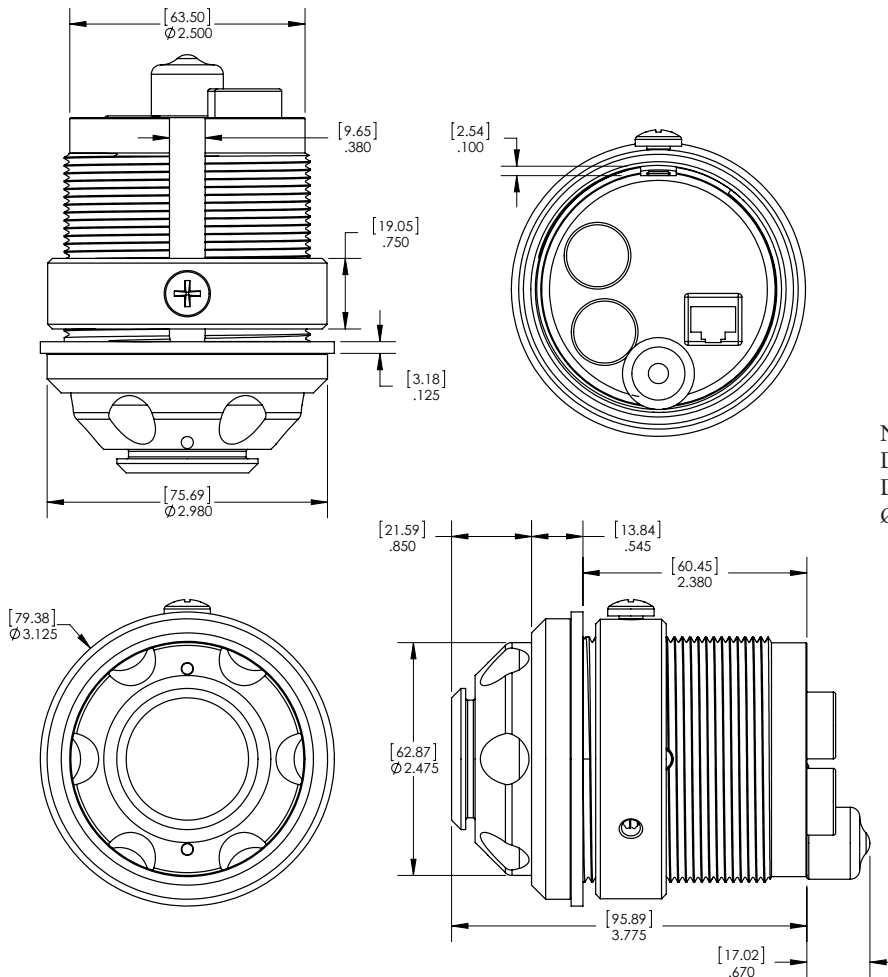
Part number: FS-CV01

Pro Enterprise

The CyberKey Vault WR module is a very secure, ruggedized, outdoor vault that stores an un-programmed CyberKey. When approved credentials are presented, the CyberKey is programmed and can then be removed from the Vault. Required items: Flex System Hub, input module(s) and CyberKey(s).

Specifications

Physical	Clear anodized aluminum
Operating Temperatures	-40° to 140° F, -40° to 60° C
Humidity	0 to 100%
Dimensions	4.45" L x 3.125" D (112.9 mm x 79.4 mm)
Weight	1.25 lbs (567 g)
Power	Via RS485, CAT 5 patch cable from a Flex System Hub
Connection	RJ45
Indicator Lights	Blue LED
Mounting Hole	2.65" D (67.3 mm)
Compatible Keys	CK-IR7, CK-RXD, CK-RXD2, CK-IR7C



Notes:
 Dimensions in inches (mm)
 Drawing not to scale
 Ø indicates diameter