

# Flex System Keypad Display Module

Part number: FS-KD01

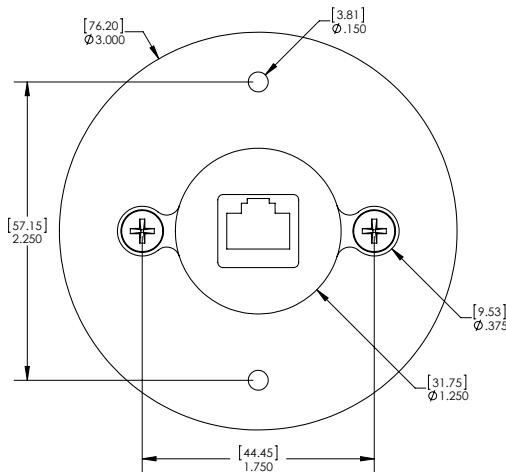
Pro    Enterprise

The Keypad Display module is a simple user interface for entering credentials plus a display used to provide feedback, instructions, and warnings. Required items: Flex System Hub and an output module (Vault, door, or Keyport).



## Specifications

<b>Physical</b>	Clear anodized aluminum
<b>Operating Temperatures</b>	14° to 140° F, -10° to 60° C
<b>Humidity</b>	0 to 100%
<b>Dimensions</b>	1.24" L x 2.95" D (31.5 mm x 75 mm)
<b>Weight</b>	9.5 oz (269.3 g)
<b>Power</b>	Via RS485, CAT 5 patch cable from a Flex System Hub
<b>Connection</b>	RJ45
<b>Display Dimensions</b>	96 x 64 pixels



Notes:  
 Dimensions in inches (mm)  
 Drawing not to scale  
 Ø indicates diameter

