

## Flex System Keyport Module

Part number: FS-MP01

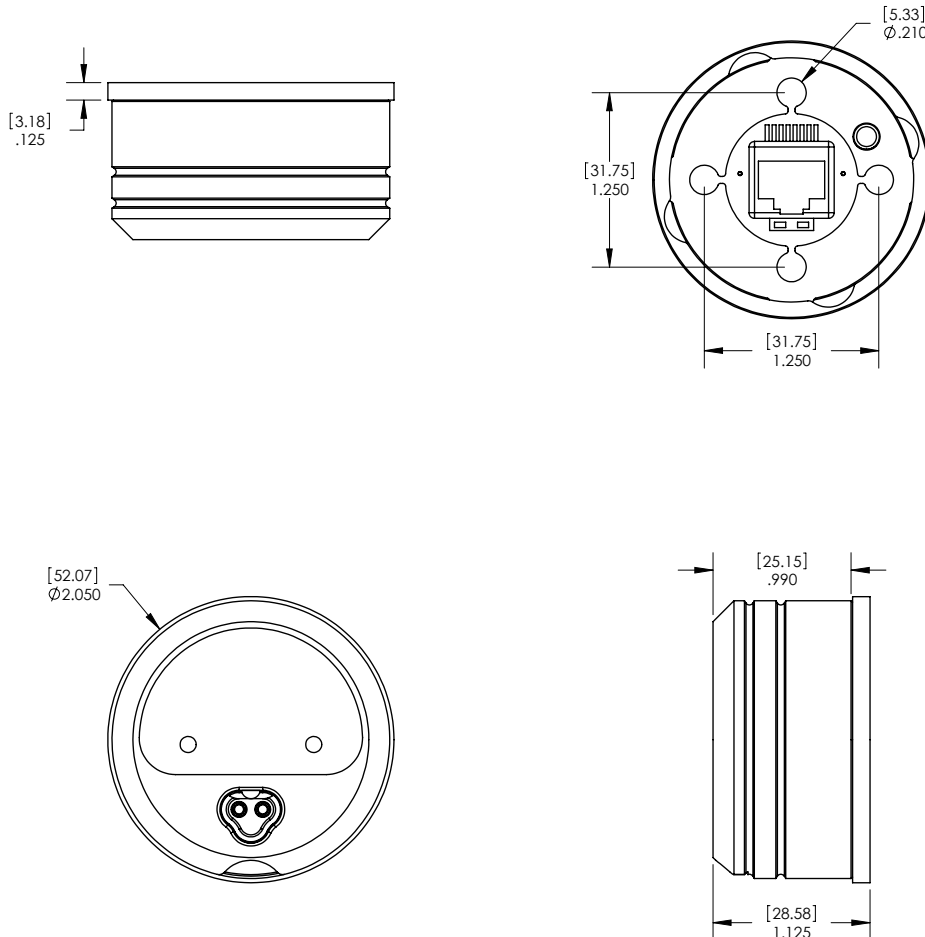
Pro  Enterprise

The Keyport module is a remote interface that allows a key to exchange information via a network. Required items: Flex System Hub and CyberKey(s).



### Specifications

|                               |   |
|-------------------------------|---|
| <b>Physical</b>               | Clear anodized aluminum                               |
| <b>Operating Temperatures</b> | -40° to 140° F, -40° to 60° C                         |
| <b>Humidity</b>               | 0 to 100%   |
| <b>Dimensions</b>             | 1.13" L x 2.05" D (29 mm x 52 mm)                     |
| <b>Weight</b>                 | 5.2 oz (147.4 g)                                      |
| <b>Power</b>                  | Via RS485 or CAT 5 patch cable from a Flex System Hub |
| <b>Connection</b>             | RJ45  |
| <b>Indicator Lights</b>       | Red: Busy; Green: Ready                               |
| <b>Distance from Hub</b>      | 100 feet using CAT 5 Ethernet patch cable             |



Notes:  
 Dimensions in inches (mm)  
 Drawing not to scale  
 Ø indicates diameter