

Flex System RFID Reader Module

Part number: FS-RH02

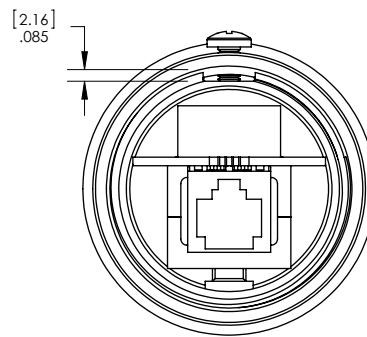
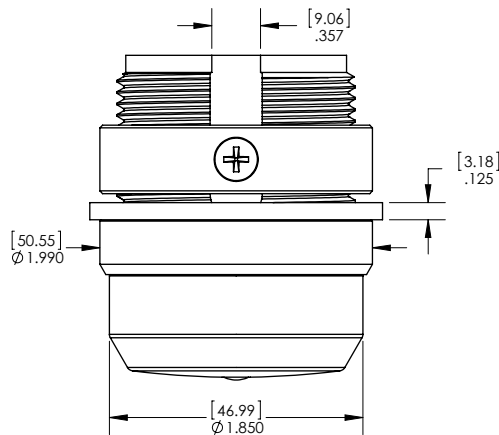
Pro Enterprise

The RFID Reader module is for scanning unencrypted 13.56 MHz RFID access cards used to identify a person and their permissions. Required items: Flex System Hub and an output module (Vault, door, or Keyport).



Specifications

Physical	Clear anodized aluminum
Operating Temperatures	-40° to 140° F, -40° to 60° C
Humidity	0 to 100%
Dimensions	2.37" L x 2.135" D (60.2 mm x 54.3 mm)
Weight	5.3 oz (150.2 g)
Power	Via RS485, CAT 5 patch cable from a Flex System Hub
Connection	RJ45
Indicator Lights	Bi-color green/red LED
Speaker	Indicates successful card scan
Mounting Hole	1.75" D (44.5 mm)
Input	Reads unencrypted 13.56 MHz, ISO 14443 Type A & B and ISO 15693 format cards (i.e. i-Code, Mifare, Legic)



Notes:
Dimensions in inches (mm)
Drawing not to scale
Ø indicates diameter

