

CyberKey Authorizer Mini-Keyport

Part number: MK-01

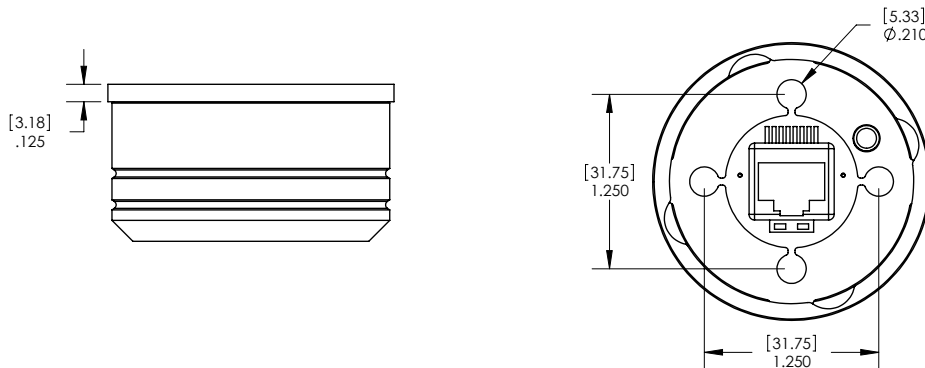
Pro Enterprise

The CyberKey Authorizer Mini-Keyport is part of the CyberKey Authorizer system. It requires a Web Authorizer hub to function. The Mini-Keyport is a remote interface that allows a key to exchange information with the CyberAudit server via a LAN or Internet connection.



Specifications

Physical	Machined aluminum with protective anodized finish, weather-resistant
Operating Temperatures	0° to 140° F, -17° to 60° C
Dimensions	1.13" L x 2.0" Dia. (29 mm x 52 mm)
Weight	3.8 oz (107.7 g)
Power	Via RS485 or CAT 5 patch cable from Authorizer hubs
Connection	RJ-45
Indicator Lights	Red-Busy, Green-Ready
Distance from Hub	100 feet using CAT 5 patch cable
Compatible Keys	CK-IR7C, CK-IR7, CK-RBT, CK-RCG, CK-RXD, CK-RXD2



Notes:
Dimensions in inches (mm)
Drawing not to scale
Ø indicates diameter

